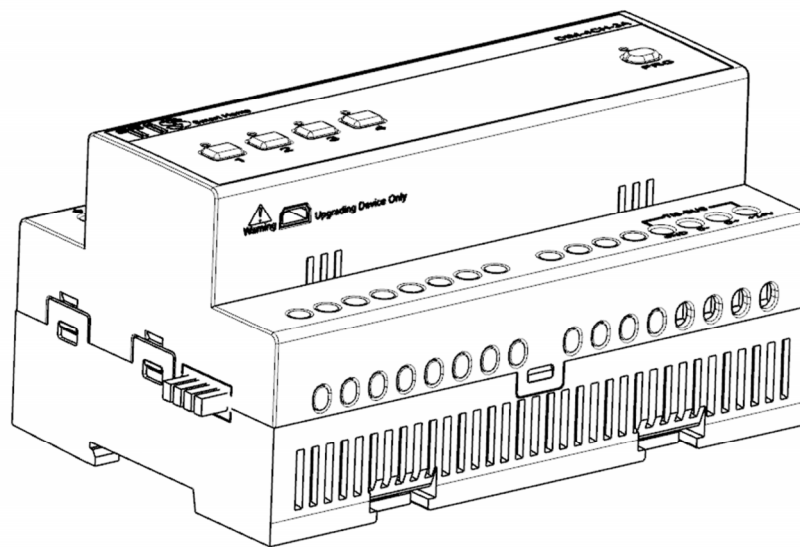


TIS Leading Edge Dimmer 4 Channels 3 Amps

Model: DIM-4CH-3A

Data Sheet Rev 1.2



Safety instructions

Electrical equipment may only be installed and fitted by electrically skilled persons. Failure to observe the instructions may cause damage to the device and other hazards. These instructions are an integral part of the product, and must remain with the end customer.

Basic information

This device is a product of the TIS system. It is a DIN-rail mountable device with 4 independent dimmer channels which can be controlled separately with TIS protocol messages, technical knowledge obtained in TIS training courses is a prerequisite to proper understanding how to install device. Basic Manual Programming can be done without the software. Advanced Programming knowledge about software obtained in the advanced training courses.

Intended use

Control lighting, e.g. light on/off, dimming, brightness values, scene, and sequence. It can be used for all dimmable lamps and transformers.

Product characteristics

Outputs	Number of channels	4
	Nominal voltage	80 – 230 V AC 50/60 Hz
	Nominal current per channel	3 A
	Maximum total channels load	10 A
TIS Bus	Number of devices on 1 line	Max. 64
	Bus voltage	12-32 V DC
	Current consumption	<30 mA / 24 V DC
	Protection	Reverse Polarity Protection
Protection	Over current	4* internal Fuse aR class 6A
	Over heat	Internal temp sensor protection
	Over load	Dimmer coil max load up to 6A
	Heat sink	Aluminum alloy with straight fin
Reaction time		approx. 20ms
Mounting	Din Rail	Standard 35 mm Din rail
	Wall mount	screw holder on the back of the module
Connection terminal	Load and Power	Screw terminal 0,25...4mm ²
	Data / bus	Male female connectors Link + screw Terminal
Operating and display elements	Programming button/LED	For assignment of the physical address
	1-4 buttons	Manually ON/OFF and Programming
	By TIS bus	TIS Protocol messages and commands
	Programming	Manual basic Prog, or by software.
	Upgrading	1 X mini USB for up to date upgrading.
Functions	Lighting control ON/OFF Dimming	4 channel controlled separately
	Scenes	4 different scenarios
	Sequences	4 different sequences
Weight	Without packaging	0.5 KG
Dimensions	Width x length x height	91mm x 145mm x 75mm
Housing	Materials	ABS anti fire
	Casing color	Black Gray
	Button color	Silver
Temperature range	Operation	-10...45°C
	Storage	-20...50°C
	Transport	-25...75°C
Air humidity		<85% non-condensing

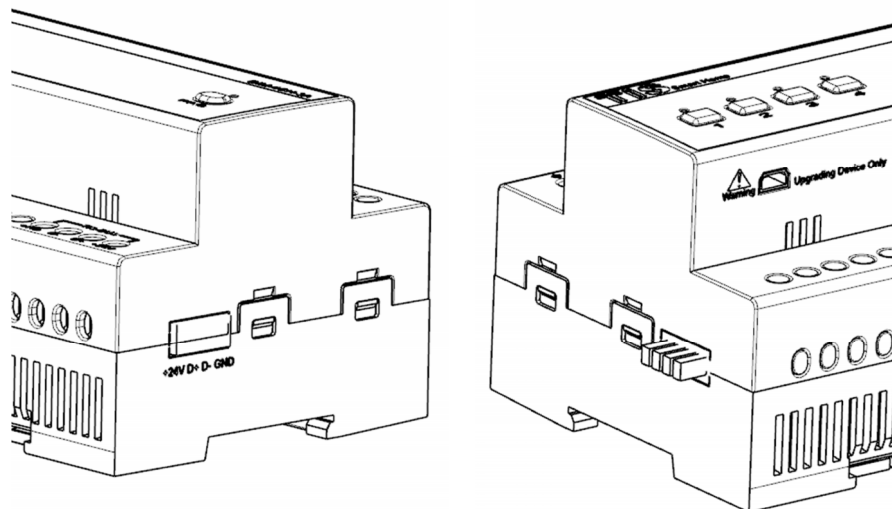
Wiring diagram

Data connection

TIS Bus connection can be done by 2 ways

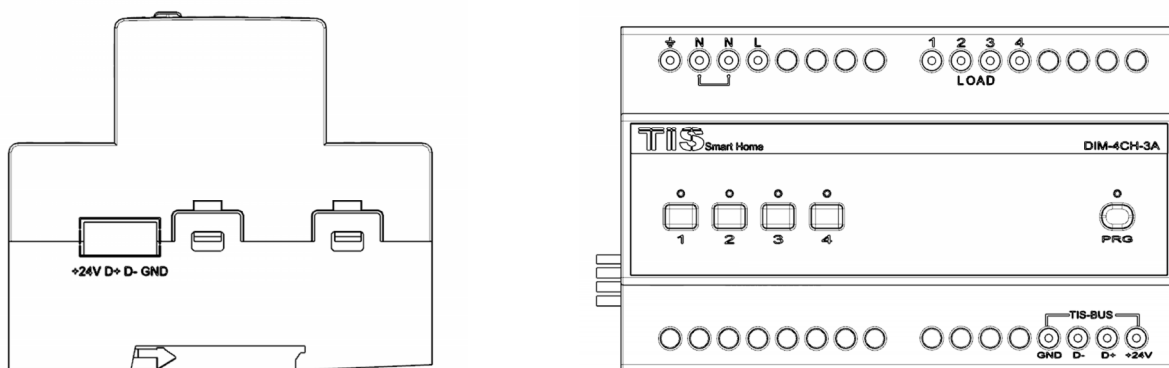
A- Train Connector

By attaching 2 modules or more with each other on the Din rail



B- Screw terminals connection

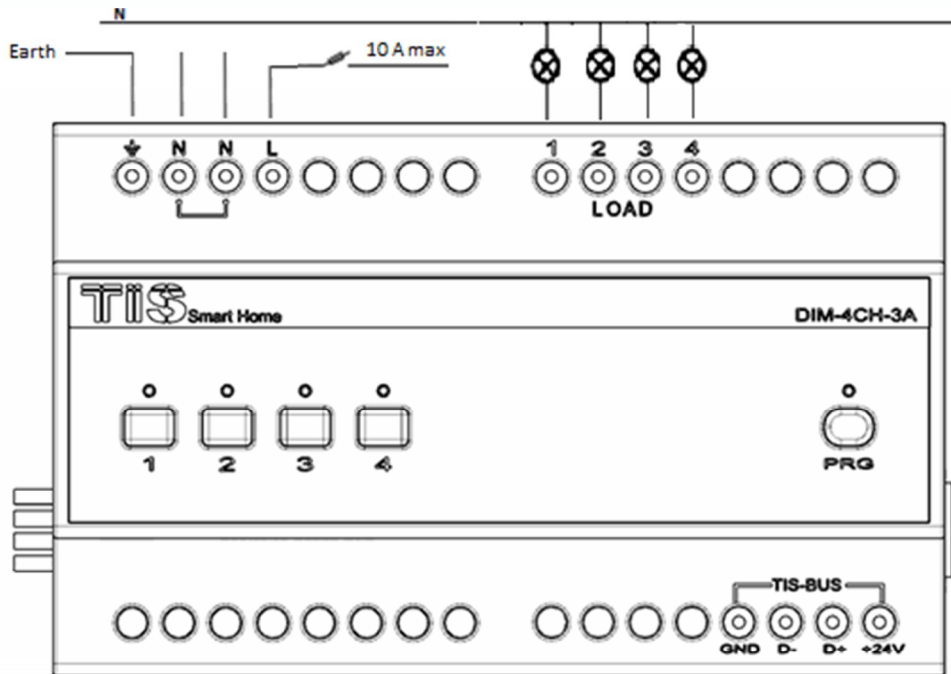
By using the Cat5e cable to connect to TIS bus 4 terminals (24V, D+, D-, GND)



Recommended UTP cat5e color connection

- 24V – Orange
- D+ – Blue
- D- – White Blue
- GND – White Orange

Electrical wire Connections:



Nutral /Phase connection (N/L):	4 mm electrical wire
Load connection (1,2,3,4) :	1.5 or 2.5 mm electrical wire.
Earth connection:	2.5 or 4 mm electrical wire.

Warranty

We provide a warranty as provided for by law.

Hologram warranty seal and product serial number is provided by each device.

Please send the description of the defect with Product S/N to our dealer network.

info@tissmarthome.com

www.tissmarthome.com