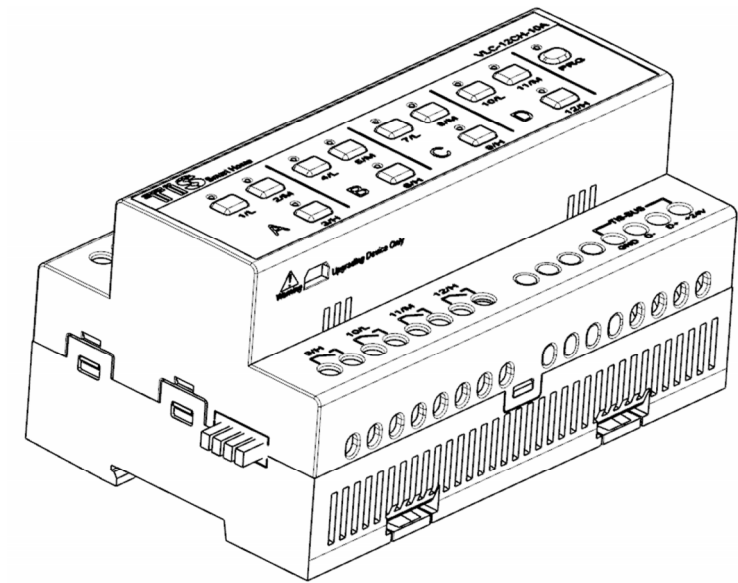


TIS Power Relay 12 Channels 10 Amps

Model: RLY-12CH-10A

Data Sheet Rev 1.2



Safety instructions

Electrical equipment may only be installed and fitted by electrically skilled persons. Failure to observe the instructions may cause damage to the device and other hazards. These instructions are an integral part of the product, and must remain with the end customer.

Basic information

This device is a product of the TIS system. It is a DIN-rail mountable device with 12 independent free voltage Relay channels which can be controlled separately with TIS protocol messages, technical knowledge obtained in TIS training courses is a prerequisite to proper understanding how to install device. Basic Manual Programming can be done without the software. Advanced Programming knowledge about software obtained in the advanced training courses.

Intended use

Control lighting, curtains, Fan speeds e.g. light on/off, shades open/close, Motor, Pumps, fan low, fan med, fan high, scene, and sequence.

Product characteristics

Outputs	Number of channels	12
	Nominal voltage	0 – 230 V AC 50/60 Hz
	Nominal current per channel	10 A / 230 VAC
	Maximum total channels load	120 A / 230 VAC
Output switching current	Max switching current	16A/230 VAC Resistive 8A/230 VAC florescent
	Max Continues current	10A/230 VAC
	Max. switching Voltage	440VAC / 125VDC
Output service life	Mechanical service life	> 10,000,000 Times
Output switching times	Operating time	15mS (at nomi. Volt)
	Releasing time	8 mS (at nomi. Volt)
	Max. operating frequency	20 cycle/min
TIS Bus	Number of devices on 1 line	Max. 64
	Bus voltage	12-32 V DC
	Current consumption (Normal)	<15 mA / 24 V DC
	Current consumption (Peak)	<140 mA / 24 V DC
	Protection	Reverse Polarity Protection
Reaction time		approx. 20ms
Operating and display elements	Programming button/LED	For assignment of the physical address
	1-12 buttons	Manually ON/OFF and Programming
	By TIS bus	TIS Protocol messages and commands
	Programming Upgrading	Manual basic Prog, or by software. 1 X mini USB for up to date upgrading.
Mounting	Din Rail	Standard 35 mm Din rail
	Wall mount	screw holder on the back of the module
Connection terminal	Load and Power	Screw terminal 0,25...4mm ²
	Data / bus	Male female connectors Link + screw Terminal
Functions	Lighting control ON/OFF Dimming	12 channel controlled separately
	Curtain control	Can set 6 group of curtain (open/close) option
	Fan speed control	Can set 4 group of Fan (low, med, high) option
	Scenes	12 different scenarios
	Sequences	12 different sequences
Weight	Without packaging	0.45 KG
Dimensions	Width x length x height	91mm x 145mm x 75mm
Housing	Materials	ABS anti fire
	Casing color	Black Gray
	Button color	Silver
Temperature range	Operation	0...60°C
	Storage	-20...50°C
	Transport	-25...75°C
Air humidity		<85% non-condensing

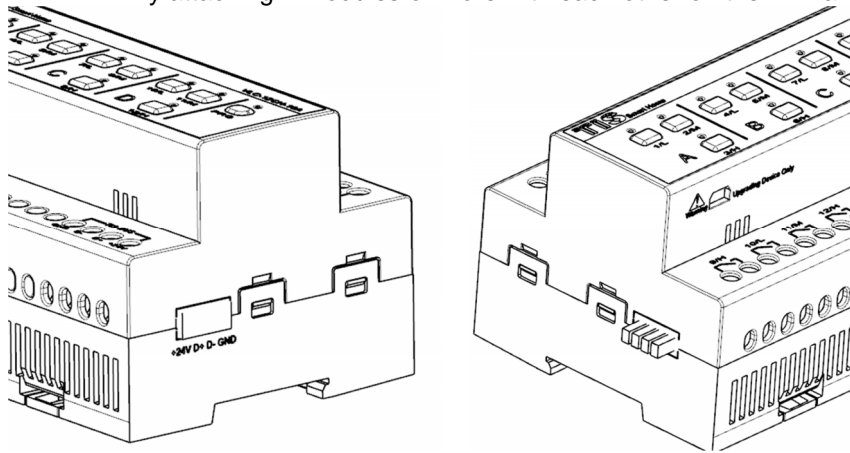
Wiring diagram

Data connection

TIS Bus connection can be done by 2 ways

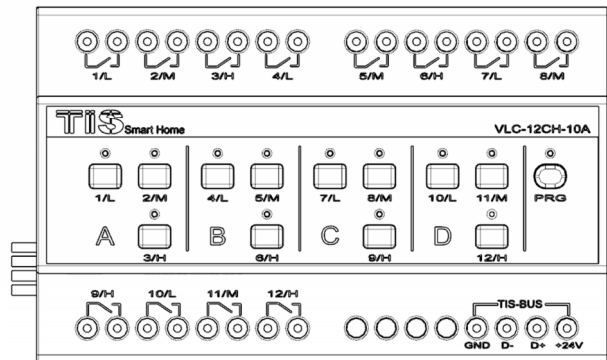
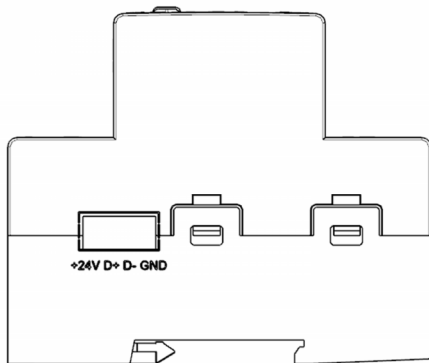
A- Train Connector

By attaching 2 modules or more with each other on the Din rail



B- Screw terminals connection

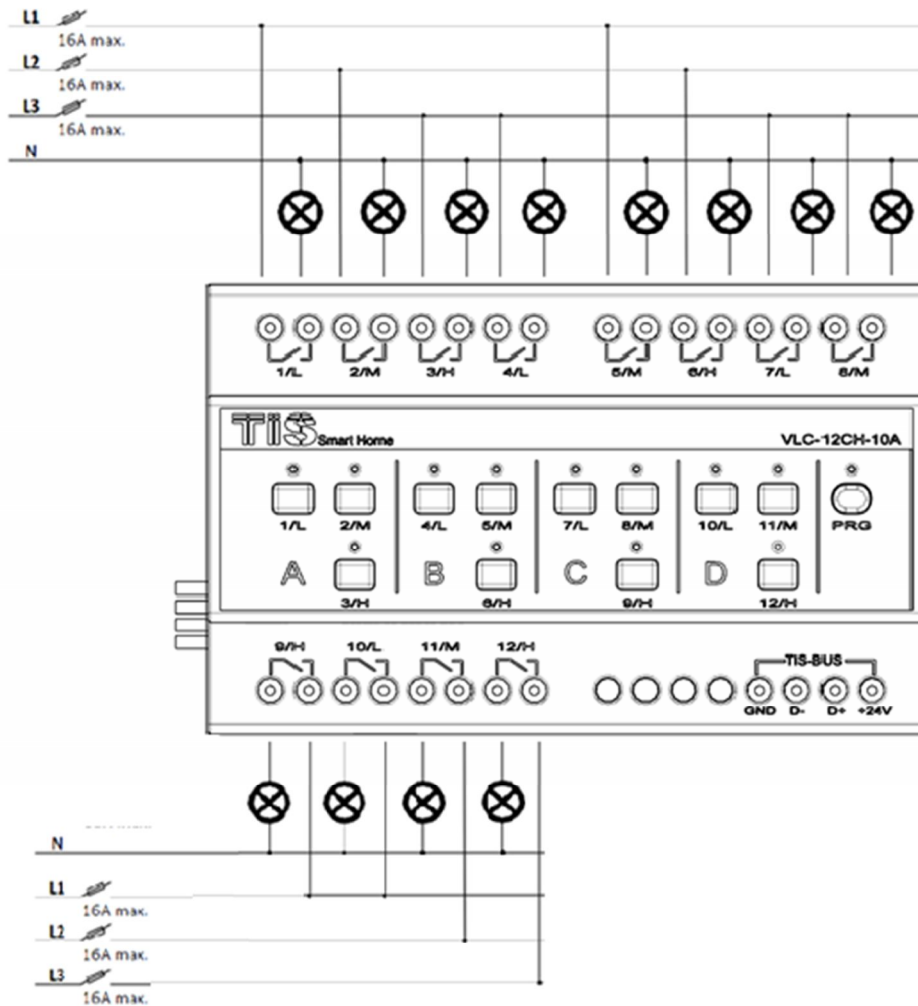
By using the Cat5e cable to connect to TIS bus 4 terminals (24V, D+, D-, GND)



Recomanded UTP cat5e color connection

- 24V – Orange
- D+ – Blue
- D- – White Blue
- GND – White Orange

Electrical wire Connections:



Input Phase:	1.5 or 2.5 mm electrical wire.
Load connection (1,2,3,4) :	1.5 or 2.5 mm electrical wire.

Warranty

We provide a warranty as provided for by law.
 Hologram warranty seal and product serial number is provided by each device.
 Please send the description of the defect with Product S/N to our dealer network.

info@tissmarthome.com
www.tissmarthome.com