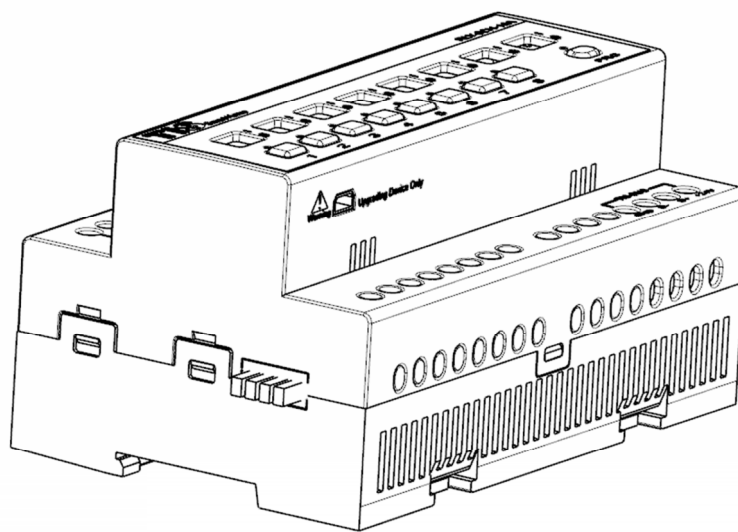


## **TIS Latching Relay 8 Channels 16 Amps**

Model: RLY-8CH-16A

Data Sheet Rev 1.3



### **Safety instructions**

Electrical equipment may only be installed and fitted by electrically skilled persons. Failure to observe the instructions may cause damage to the device and other hazards. These instructions are an integral part of the product, and must remain with the end customer.

### **Basic information**

This device is a product of the TIS system. It is a DIN-rail mountable device with 8 independent free voltage Relay channels which can be controlled separately with TIS protocol messages, technical knowledge obtained in TIS training courses is a prerequisite to proper understanding how to install device. Basic Manual Programming can be done without the software. Advanced Programming knowledge about software obtained in the advanced training courses.

### **Intended use**

Control lighting, curtains, Motors e.g. light on/off, shades open/close, Motor, Pumps, scene, and sequence.

## Product characteristics

<b>Outputs</b>	Number of channels Nominal voltage Nominal current per channel Maximum total channels load	8 0 – 230 V AC 50/60 Hz 16 A / 230 VAC 128 A / 230 VAC
<b>Output switching current</b>	Max switching current Max Continues current Max. switching Voltage:	50A/230 VAC Resistive 20A/230 VAC florescent 20A/230 VAC 440VAC
<b>Output service life</b>	Mechanical service life	> 10,000,000 Times
<b>Output switching times</b>	Operating and releasing Max. operating frequency	15mS (at nomi. Volt) 20 cycle/min
<b>TIS Bus</b>	Number of devices on 1 line Bus voltage Current consumption (Normal) Current consumption (operation) Protection	Max. 64 12-32 V DC <12 mA / 24 V DC <35 mA / 24 V DC Reverse Polarity Protection
<b>Reaction time</b>		approx. 20ms
<b>Operating and display elements</b>	Programming button/LED 1-8 buttons Switch position display By TIS bus Programming Upgrading	For assignment of the physical address Manually ON/OFF and Programming Relay emergency operator TIS Protocol messages and commands Manual basic Prog, or by software. 1 X mini USB for up to date upgrading.
<b>Mounting</b>	Din Rail Wall mount	Standard 35 mm Din rail screw holder on the back of the module
<b>Connection terminal</b>	Load and Power Data / bus	Screw terminal 0,25...4mm <sup>2</sup> Male female connectors Link + screw Terminal
<b>Functions</b>	Lighting control ON/OFF Dimming Curtain control Scenes Sequences	8 channel controlled separately Can set 4 group of curtain (open/close) option 8 different scenarios 8 different sequences
<b>Weight</b>	Without packaging	0.45 KG
<b>Dimensions</b>	Width x length x height	91mm x 145mm x 75mm
<b>Housing</b>	Materials Casing color Button color	ABS anti fire Black Gray Silver
<b>Temperature range</b>	Operation Storage Transport	0...60°C -20...50°C -25...75°C
<b>Air humidity</b>		<85% non-condensing

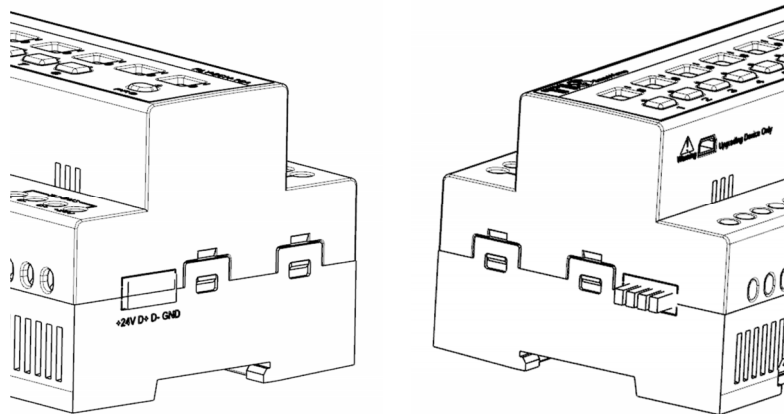
## Wiring diagram

### Data connection

TIS Bus connection can be done by 2 ways

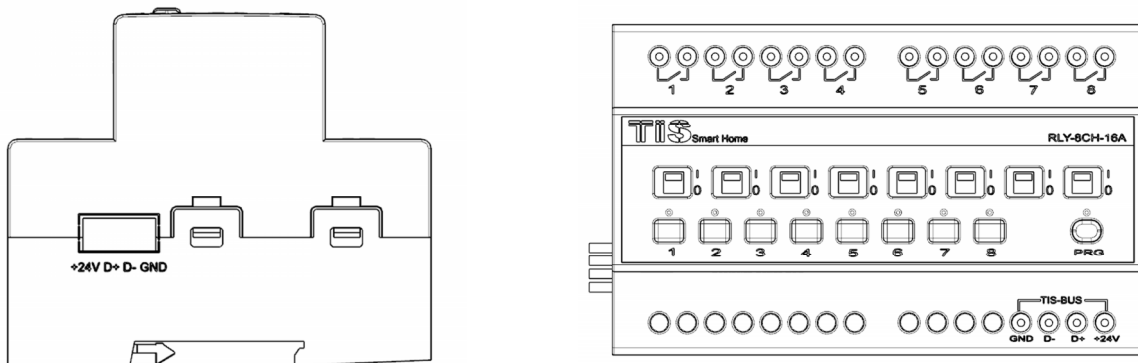
#### A- Train Connector

By attaching 2 modules or more with each other on the Din rail



#### B- Screw terminals connection

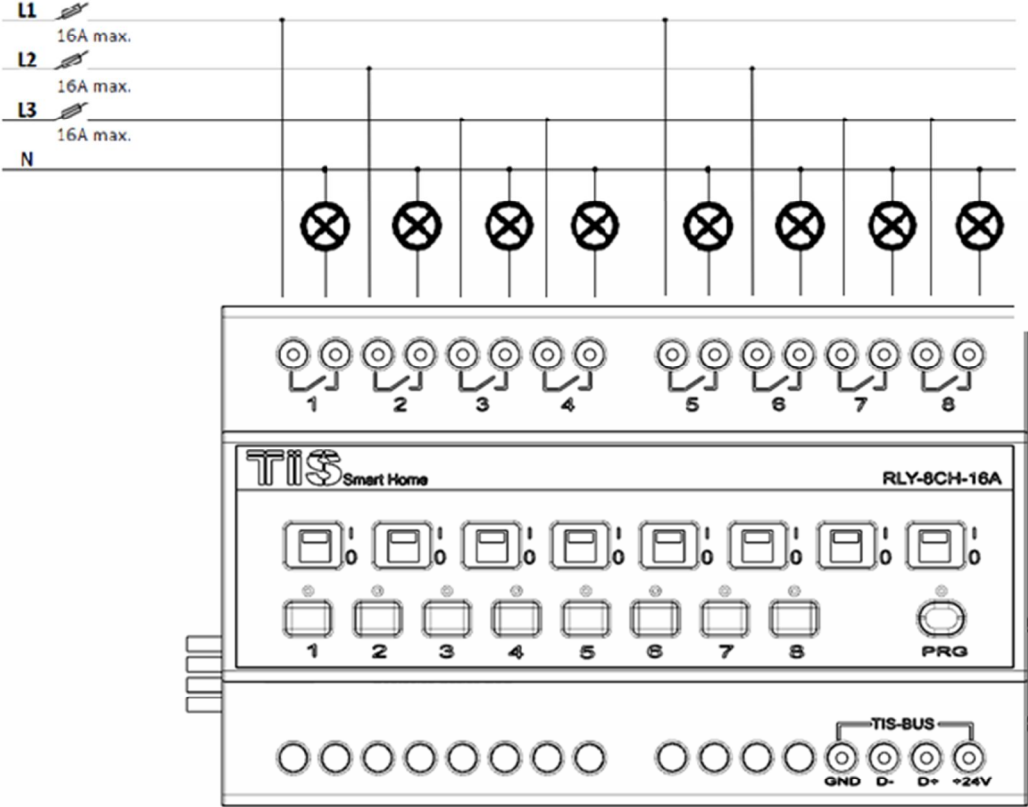
By using the Cat5e cable to connect to TIS bus 4 terminals (24V, D+, D-, GND)



Recommended UTP cat5e color connection

- 24V – Orange
- D+ – Blue
- D- – White Blue
- GND – White Orange

**Electrical wire Connections:**



Input Phase:	1.5 or 2.5 mm electrical wire.
Load connection (1,2,3,4) :	1.5 or 2.5 mm electrical wire.

**Warranty**

We provide a warranty as provided for by law.  
 Hologram warranty seal and product serial number is provided by each device.  
 Please send the description of the defect with Product S/N to our dealer network.

[info@tissmarthome.com](mailto:info@tissmarthome.com)  
[www.tissmarthome.com](http://www.tissmarthome.com)